

IRT UVA1 and UVA2 PrepCure curing of UV paint material

Area of application

A mobile UV dryer is an essential aid when curing UV paint material on small and medium sized areas. The IRT UVA dryer works with UVA, starting with a wavelength of 320 nm.

Product description

The easily manoeuvrable IRT UVA mobile dryers are available with one or two cassettes (heads) — UVA 1 and UVA 2.

Both UVA dryers are also available as Rail Dryers for IRT Rail Systems.

The design, combined with a gas spring, makes cassette adjustment flexible and easy.

Each cassette is equipped with one UV lamp and a special designed reflector for optimal reflection and superior distribution on the curing area.

The curing time is regulated with an electronic timer.

Curing Areas

On the below curing areas the minimum UVA intensity is 25mW/cm².

IRT UVA 1

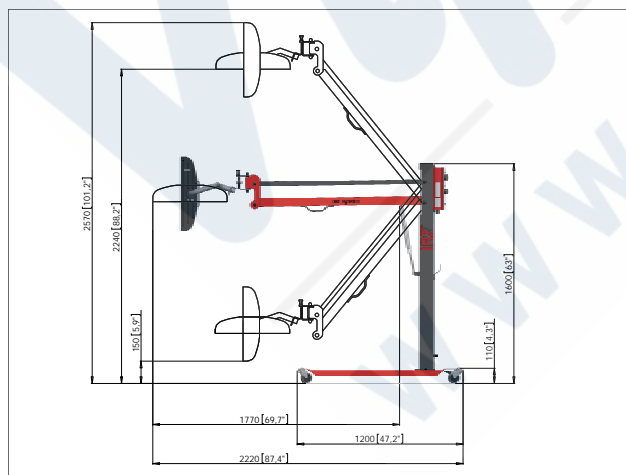
At a distance of 55 cm the curing area is approx. 1x1 m.

IRT UVA2

At a distance of 55 cm the curing area is approx. 1,7x1 m.

Personal protection

The user of IRT UVA mobiles must cover all naked skin and use UV-protection goggles.



TECHNICAL DATA

IRT UVA1

Voltage	230V 1Ph ~/PE
Frequency	50 Hz
Power	1 kW UV-A
Weight	~ 55 kg

IRT UVA2

Voltage	230V 1Ph ~/PE
Frequency	50 Hz
Power	2 kW UV-A
Weight	~ 60 kg

Vip Tools

Neerlandweg 12
BE - 2610 Wilrijk
Tel : +32 (0) 3 844 52 52
info@viptools.be

when results count **IRT**
SYSTEM